

ECO-i™ Submittal Data



Building Life.

CHDX09053

Heat Pump: 8 tons VRF Outdoor Unit

Job Name: _____
 Location: _____
 Engineer: _____
 Submitted to: _____
 Submitted by: _____
 Reference: _____

Approval: _____
 Date: _____
 Construction: _____
 Unit #: _____
 Drawing #: _____



Compressor Warranty: 6 Years
Parts Warranty: 1 Year
Coil Coated to Protect Against Corrosion
Salt Protection also available



Capacities

Cooling: Btu/h 95,500
 Power Input: KW 7.9
 Heating: Btu/h 107,500
 Power Input: KW 7.75

Cooling Mode Nominal Conditions

Indoor: °F DB/°F WB 80/67
 Outdoor: °F DB 95
 Pipe Length (feet): 25
 Level Difference (feet): 0

Heating Mode Nominal Conditions

Indoor: °F DB 70
 Outdoor: °F DB/ °F WB 47/43
 Pipe Length (feet): 25
 Level Difference (feet): 0

Operating Range

Cooling: °F DB: 14 to 109
 Heating: °F DB: -4 to 59

Compressor

Quantity/Type: 1 Inverter driven rotary & 1 fixed speed scroll
 Capacity Control Range: 10-100%

Fan

Quantity/Type: 1 Propeller
 Fan Motor Output (KW): 0.7

Power Supply

V/PH/Hz. 208-230 / 3 / 60
 Minimum circuit Amps (MCA): Amps 38
 Max. Overcurrent Protection (MOCP): 50

Weight (lbs):

650

Refrigerant:

410A

Coil

Coil Face Area (sq. ft.): 22.5
 Number of Rows: 4

Protection Devices

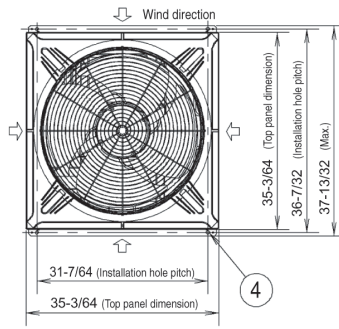
High Pressure Switch: Yes
 Overcurrent (CT Method): Yes
 Crankcase Heaters (W): 25 + 32

External Finish:

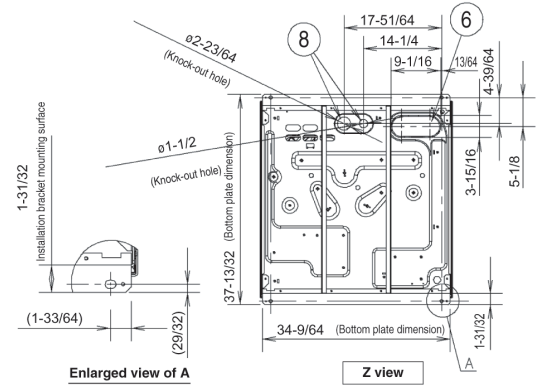
Electrostatic Powder Coating

→→→ Dimensions

		10hp	16hp
①	Refrigerant (gas tube in. (mm))	brazed connection ø7/8" (ø22.22)	ø1-1/8" (ø28.58)
②	Refrigerant (liquid tube in. (mm))	flared connection ø3/8" (ø9.52)	ø1/2" (ø12.70)
③	Refrigerant (balance tube in. (mm))	flared connection ø1/4" (ø6.35)	ø1/4" (ø6.35)
④	Installation holes (4-19/32" x 25/32" elongated holes), anchor bolts M12 or 15/32" or larger		
⑤	Refrigerant (front: knock out hole and slit)		
⑥	Tubing port (bottom: hole with cover)		
⑦	Electrical wiring port (front: ø1-47/64", ø15/16", ø1-3/8" knock-out holes – for conduit connection)		
⑧	Electrical wiring port (bottom: ø2-23/64", ø1-1/2" knock-out holes – for conduit connection)		
⑨	Pressure outlet port (for high pressure: ø5/16" (ø7.94) Schrader-type connection)		
⑩	Pressure outlet port (for low pressure: ø5/16" (ø7.94) Schrader-type connection)		
⑪	Knock-out hole for connecting pressure gauge (optional)		

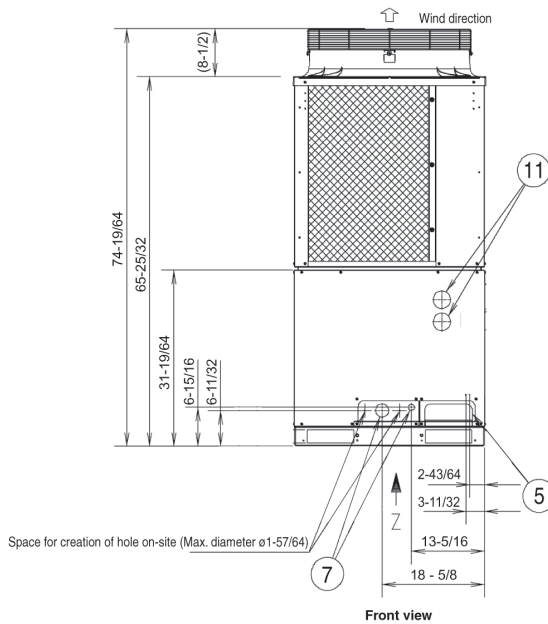


Top view



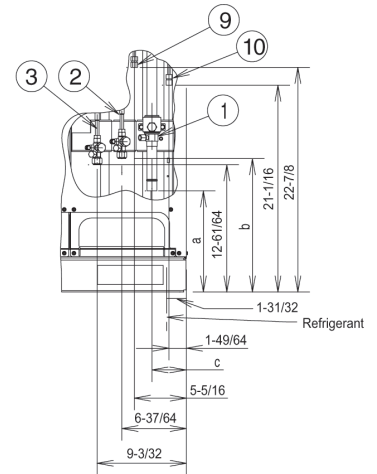
Enlarged view of A

Z view



Front view

Space for creation of hole on-site (Max. diameter ø1-57/64)



*Measurements for 10-16hp assume that the supplied connection tubing is used.

Table of Measurements for Refrigerant Tube Connection

Equivalent horsepower	Size(In.)		
	a	b	c
10※	6-37/64	13-37/64	3-15/16
16※	7-11/64	13-5/32	3-55/64

※Measurements for 10,16hp assume that the supplied connection tubing is used.

SANYO

Sanyo Commercial Solutions
A Division of SANYO North America
1300 Michael Drive, Suite A
Wood Dale, IL 60191 USA
www.sanyohvac.com